



BMK6 SERIES HYDRAULIC MOTOR

BMK6 series motor adapt the advanced Geroler gear set designed with disc distribution flow and high pressure. The unit can be supplied the individual variant in operating multifunction in accordance with requirement of applications.

Characteristic features:

- * Advanced manufacturing devices for the Geroler gear set, which use low pressure of start-up, provide smooth and reliable operation and high efficiency.
- * Advanced design in disc distribution flow, which can automatically compensate in operating with high volume efficiency and long life, provide smooth and reliable operation.
- * Shaft seal can bear high pressure of back.
- * The output shaft adapts in tapered roller bearings that permit high axial and radial forces. The case can offers capacities of high pressure and high torque in the wide of applications.

Main Specification

Type		BMK6 200	BMK6 250	BMK6 315	BMK6 400	BMK6 500	BMK6 630	BMK6 800	BMK6 1000
Geometric displacement (cm ³ /rev.)		195.6	246.1	311.6	391.3	490.8	623	802.4	981.6
Max. speed (rpm)	cont.	765	610	480	382	304	240	186	152
	int.	865	830	690	570	455	360	280	230
Max. torque (N·m)	cont.	565	710	920	1160	1445	1480	1580	1675
	int.	840	1080	1325	1625	1880	1890	1880	1860
Max. pressure drop (MPa)	cont.	20	20	20	20	20	17.5	14	14
	int.	30	30	30	30	27.5	22.5	15.5	14
	peak.	30	30	30	30	30	24	17.5	17
Max. flow (L/min)	cont.	150	150	150	150	150	150	150	150
	int.	170	205	225	225	225	225	225	225
Weight (kg)		26.3	26.8	27.3	28	28.8	29.6	30.5	32

*Continuous pressure: Max. value of operating motor continuously.

*Intermittent pressure: Max. value of operating motor in 6 seconds per minute.

*Peak pressure: Max. value of operating motor in 0.6 second per minute.



HAN JIU

石家庄寒九科技有限公司
SHIJIAZHUANG HANJIU TECHNOLOGY CO.,LTD.

BMK6 500 [490.8cm³/rev.]
Pressure (MPa)

	Pressure (MPa)										
	1.75	3.5	7	10.5	14	17.5	20	24	27.5		
Flow (L/min)	4	120 7	230 6	470 5	685 3						
	8	125 15	240 14	475 13	705 12	940 11	1165 8	1375 3			
	15	125 30	235 29	480 29	720 28	960 27	1190 25	1400 21	1625 17	1880 12	
	30	125 60	235 59	485 58	735 57	975 54	1215 50	1445 45	1685 35		
	45	125 91	235 90	485 89	735 87	975 84	1215 78	1450 70			
	60	120 121	235 121	480 120	730 118	975 114	1220 108	1460 98			
	75	110 152	225 151	470 149	725 146	970 142	1220 135				
	90	100 182	220 182	465 180	720 178	965 175	1215 168				
	105	95 213	205 212	460 210	710 206	960 201	1210 195				
	120	90 244	195 243	450 240	700 235	950 228	1205 221				
	135	85 274	175 273	435 270	680 265	935 258	1170 250				
	Max.cont.	150	70 304	155 303	420 301	665 292	920 287	1150 280			
	Max.int.	190		130 385	360 382	580 373	865 365				
225			320 455	555 440	800 432						

BMK6 630 [623cm³/rev.]
Pressure (MPa)

	Pressure (MPa)										
	1.75	3.5	7	10.5	14	17.5	20	22.5			
Flow (L/min)	4	130 6	245 5	500 4	750 2						
	8	135 12	265 12	540 11	805 10	1050 6					
	15	140 24	280 23	585 22	865 21	1085 16	1425 13				
	30	145 48	295 47	605 45	925 42	1270 38	1480 34	1780 30	1890 27		
	45	145 72	295 71	610 70	920 68	1330 65	1465 58	1770 50			
	60	135 95	285 94	605 91	915 87	1330 83	1465 78				
	75	130 120	275 119	595 116	915 112	1325 106					
	90	115 145	260 144	585 141	905 137	1310 130					
	105	100 168	255 167	575 164	895 160	1305 152					
	120	85 192	235 191	560 186	880 182	1280 175					
	135	75 216	220 215	540 212	855 207						
	Max.cont.	150	50 240	200 239	525 236	84 233					
	Max.int.	190			465 300	795 293					
225			430 360	740 348							

BMK6 800 [802.4cm³/rev.]
Pressure (MPa)

	Pressure (MPa)										
	1.75	3.5	5	7	8.5	10.5	12	14	15.5	17.5	
Flow (L/min)	4	172 4	345 4	530 2	690 2	860 1					
	8	180 9	355 9	540 8	725 8	955 7	1080 6	1275 5	1360 4		
	15	185 18	370 18	565 17	758 17	980 16	1130 15	1265 14	1420 12	1655 10	1880 9
	30	190 36	385 35	590 34	795 33	1005 32	1200 31	1330 29	1580 28	1740 26	
	45	190 55	385 55	590 54	800 53	1015 52	1200 52	1380 50	1550 48		
	60	185 74	380 73	580 72	790 70	1015 69	1200 67	1345 65			
	75	176 92	370 92	575 91	782 88	1000 87	1185 85	1365 82			
	90	165 112	360 111	560 110	765 108	990 106	1170 102				
	105	150 130	340 129	555 128	750 127	972 125	1155 120				
	120	132 149	325 148	545 146	735 143	945 140	1130 135				
	135	105 168	302 167	525 165	710 162	911 158					
	Max.cont.	150	80 186	270 185	500 183	680 180	880 176				
	Max.int.	190		300 235	475 233	660 230	855 226				
225			423 280	612 276	830 272						

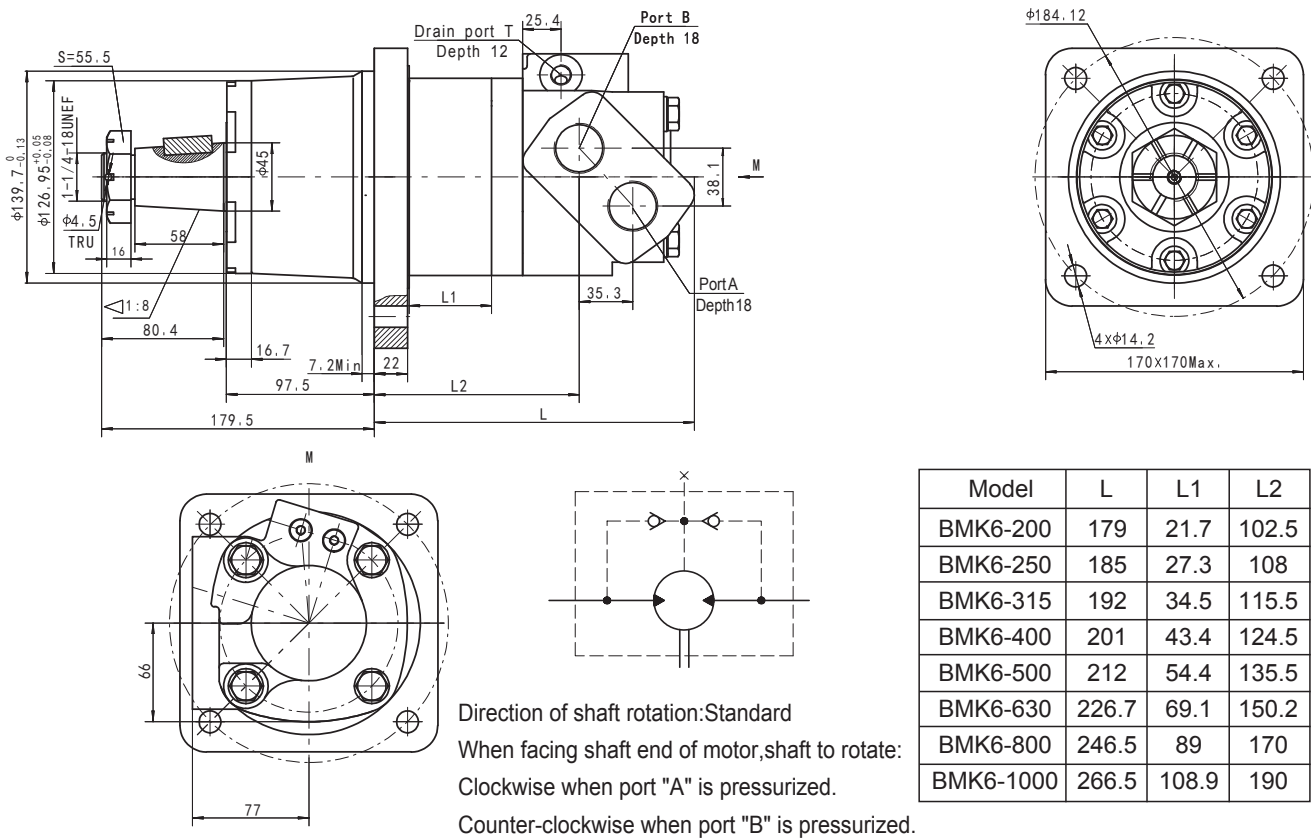
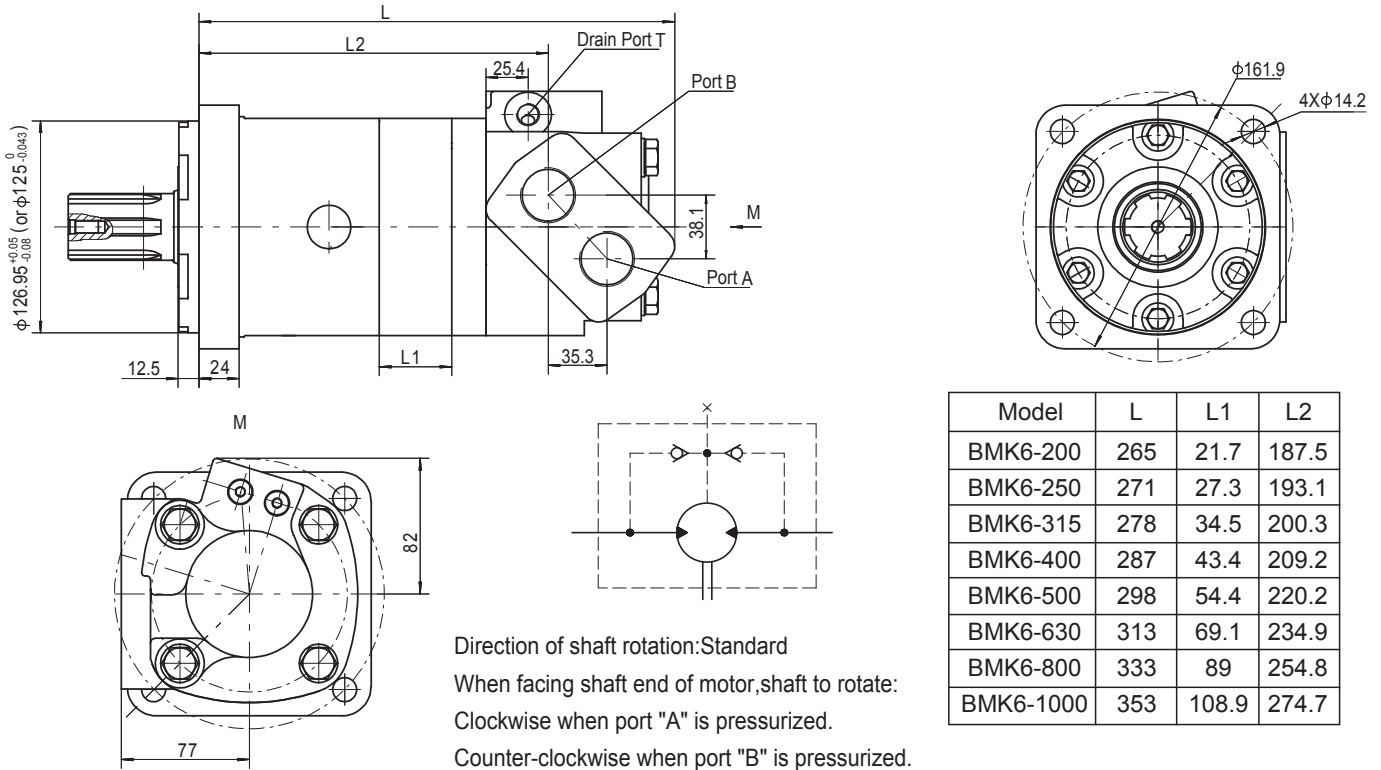
BMK6 1000 [981.6cm³/rev.]
Pressure (MPa)

	Pressure (MPa)									
	1.75	3.5	5	7	8.5	10.5	12	14		
Flow (L/min)	4	225 3	460 3	640 2	875 2	1085 1				
	8	230 7	470 7	695 6	945 6	1170 5	1415 4	1560 3	1675 2	
	15	240 15	485 15	715 15	965 14	1200 14	1445 13	1580 13	1780 12	
	30	240 30	495 30	720 30	995 29	1235 28	1480 27	1640 25	1860 23	
	45	240 45	495 45	720 44	1000 44	1250 43	1490 42	1700 40		
	60	235 60	490 60	715 60	990 59	1245 57	1500 55			
	75	225 76	475 76	710 76	980 75	1230 73	1485 70			
	90	215 91	460 91	705 91	960 90	1215 88	1465 85			
	105	200 106	445 106	690 105	940 105	1195 103	1440 100			
	120	185 122	420 122	665 121	920 119	1155 116				
	135	150 137	390 137	635 136	890 136	1120 134				
	Max.cont.	150	110 152	360 151	605 150	860 148	1080 145			
	Max.int.	190		320 192	575 190	820 188	1045 185			
225			515 230	800 228	1020 224					

Torque (N·m) 423
Speed (rpm) 280

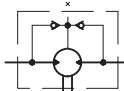
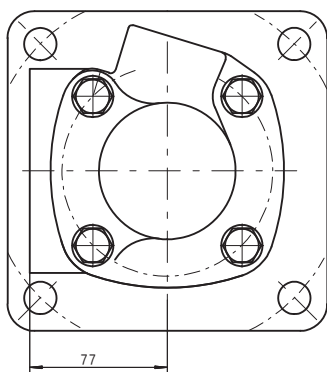
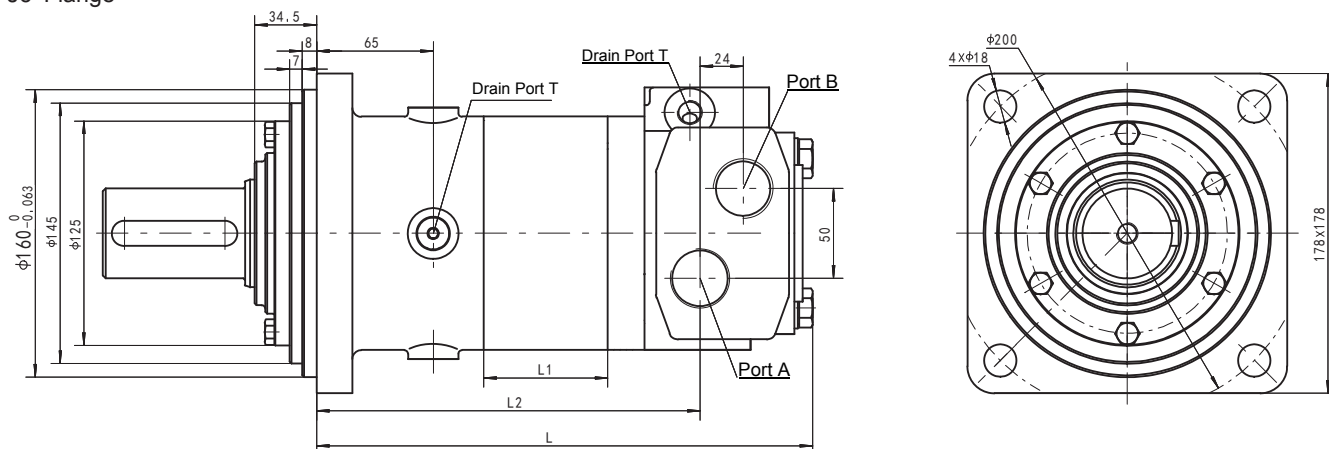
cont.
int.

BMK6 DIMENSIONS MOUNTING DATA



BMK6 DIMENSION AND MOUNTING DATA

J6 Flange



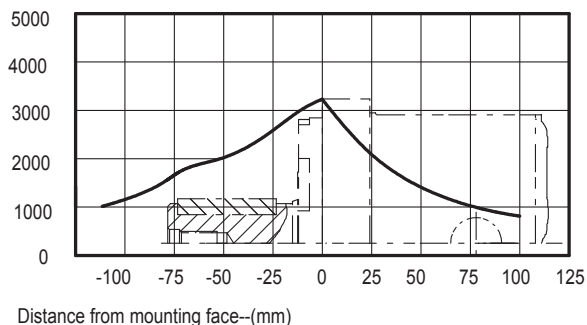
Rotation direction of output shaft: standard

When facing the depth of the motor shaft and the "A" port is high pressure oil, the output shaft rotates clockwise; otherwise, it rotates counterclockwise. Without check valve, the "M14xM15 drain" port must be connected back to the tank.

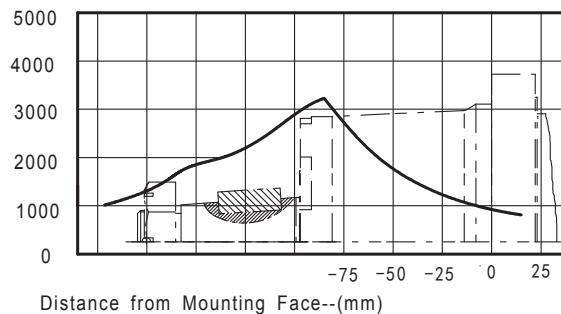
Model	L	L1	L2
BMK6-200	230	21.7	166
BMK6-250	236	27.3	172
BMK6-315	243	34.5	179
BMK6-400	252	43.4	188
BMK6-500	263	54.4	199
BMK6-630	277.5	69.1	213.5
BMK6-800	297.5	89	233.5
BMK6-1000	317.5	108.9	253.5

BMK6 for CC And W Mounting Radial forces

Radial forces-(daN)



Side Load-(daN)

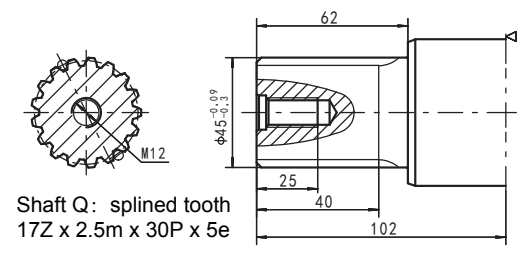
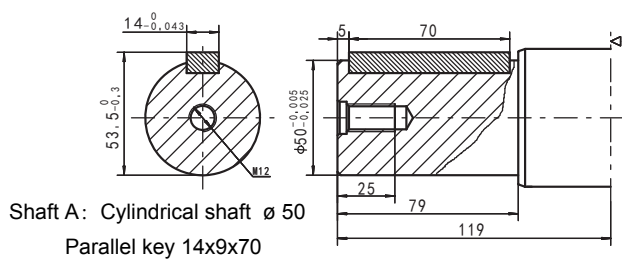
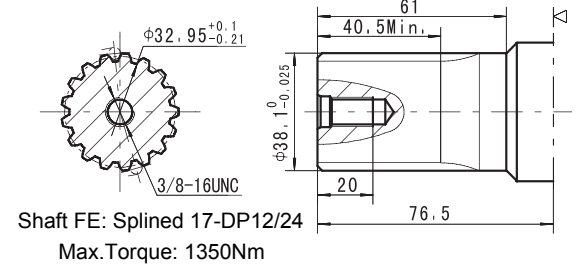
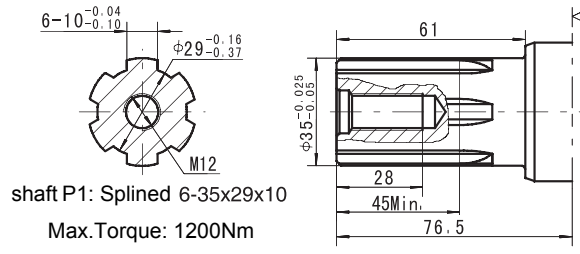
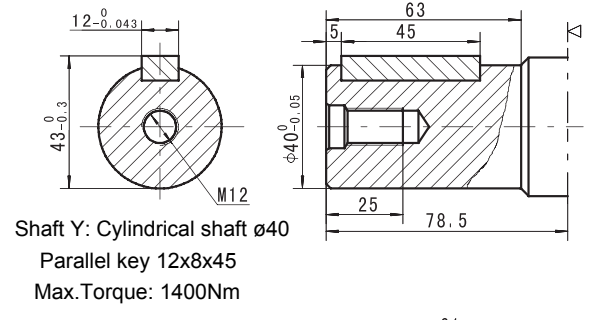
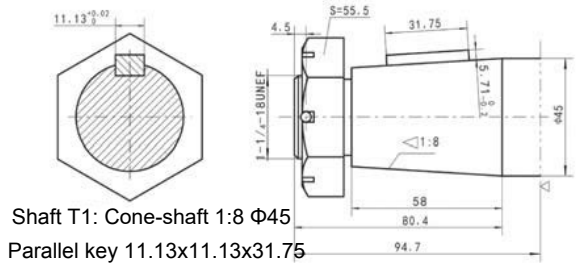
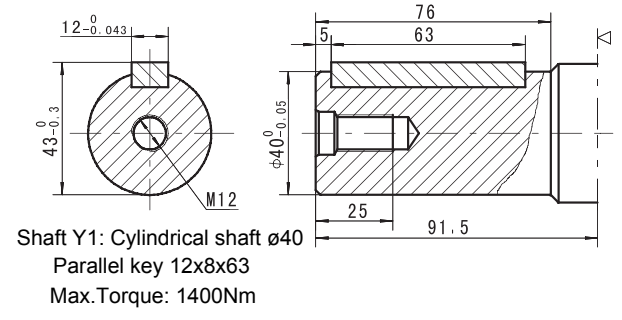
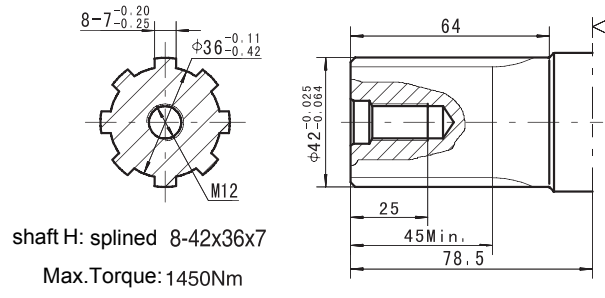
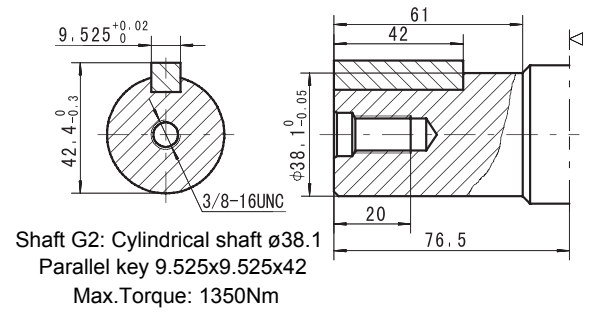
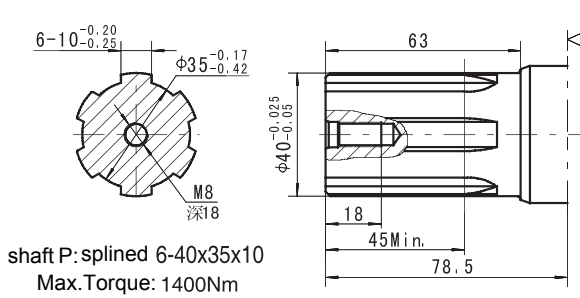


The bearing curve represents allowable bearing loads for an B10 bearing life (2000 hours or 12×10^6 revolutions at 100rpm) at rated output torque. Other speed load multiply a load values.

The maximum load curve is defined by bearing static load capacity.

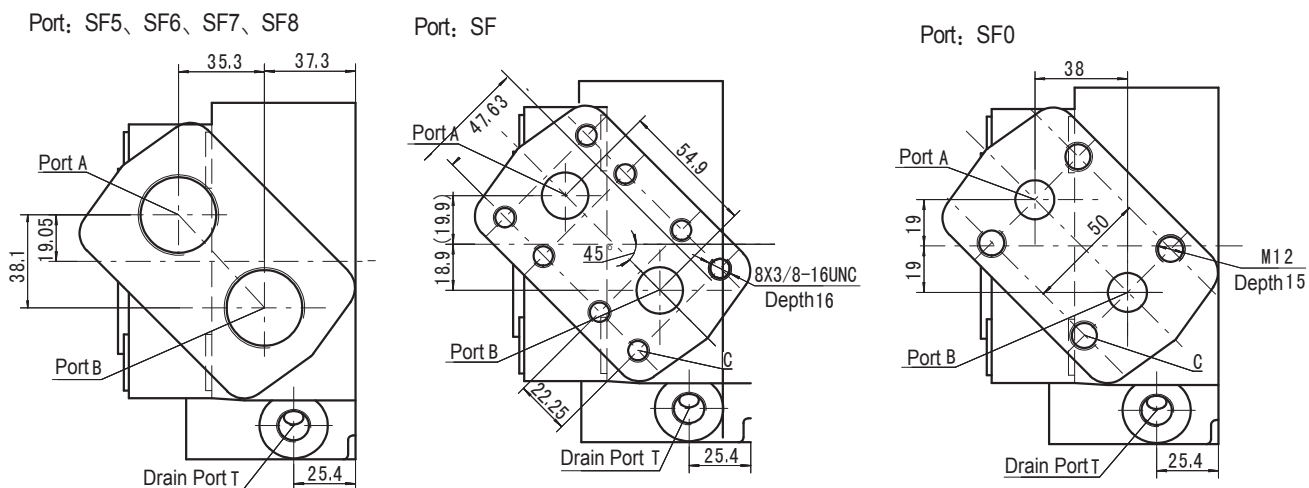
This curve should not be exceeded at any time including shock loads.

BMK6 Shaft Extensions For Dimensions Data



◁ Motor Mounting Surface CC Flange

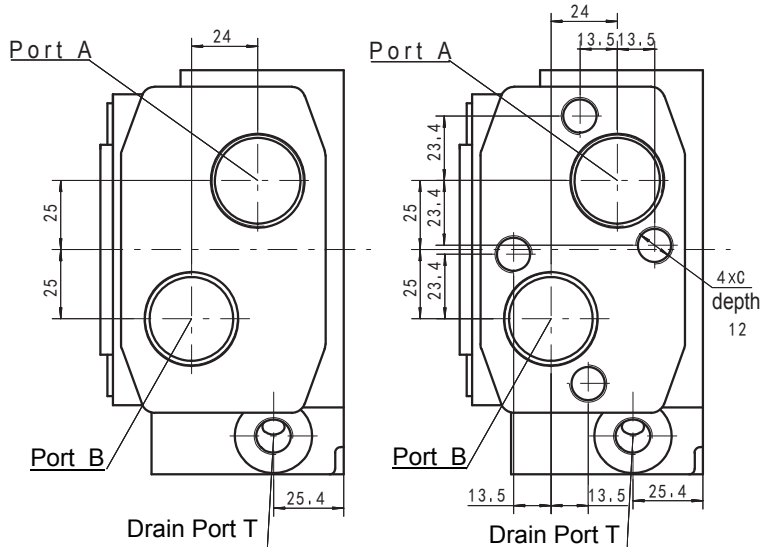
DIMENSIONS of PORTS FOR BMK6



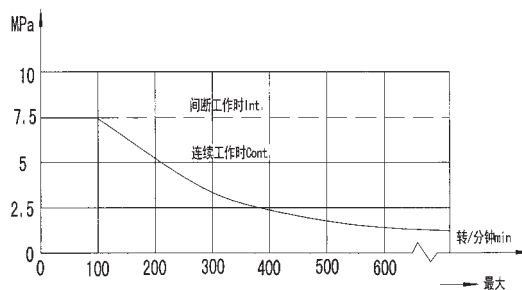
Code	Type					
	SF5 (depth)	SF6 (depth)	SF7 (depth)	SF8 (depth)	SF (depth)	SF0 (depth)
P(A,B)	1-5/16-12UN(18)	M33X2(18)	G1(18)	G3/4(18)	Φ 19.05	Φ 16
T	7/16-20UNF(12)	M14X1.5(12)	G1/4(12)	G1/4(12)	7/16-20UNF(12)	M14X1.5(12)
C	-	-	-	-	8X3/8-16UNC	4XM12

Porting: S1、M 5、G

Porting: D、D 1、M



BMK6 Series The allowable pressure of the standard motor output shaft seal



In the use without an external oil drain pipe, the pressure on the output shaft sealing ring is slightly higher than the pressure in the oil pipeline. When the external drain pipe is used, the pressure on the output shaft sealing ring is the same as the pressure in the external drain pipe.

Content	Code					
	S1(Depth)	M5(Depth)	G(Depth)	D(Depth)	D1(Depth)	M (Depth)
P(A,B)	1-5/16-12UN(18)	M33X2(18)	G1(18)	G1(18)	G3/4(18)	M33X2(18)
T	7/16-20UNF(12)	M14X1.5(12)	G1/4(12)	G1/4(12)	G1/4(12)	M14X1.5(12)
C	-	-	-	4XM12	4XM12	4XM12

订货信息

Order information

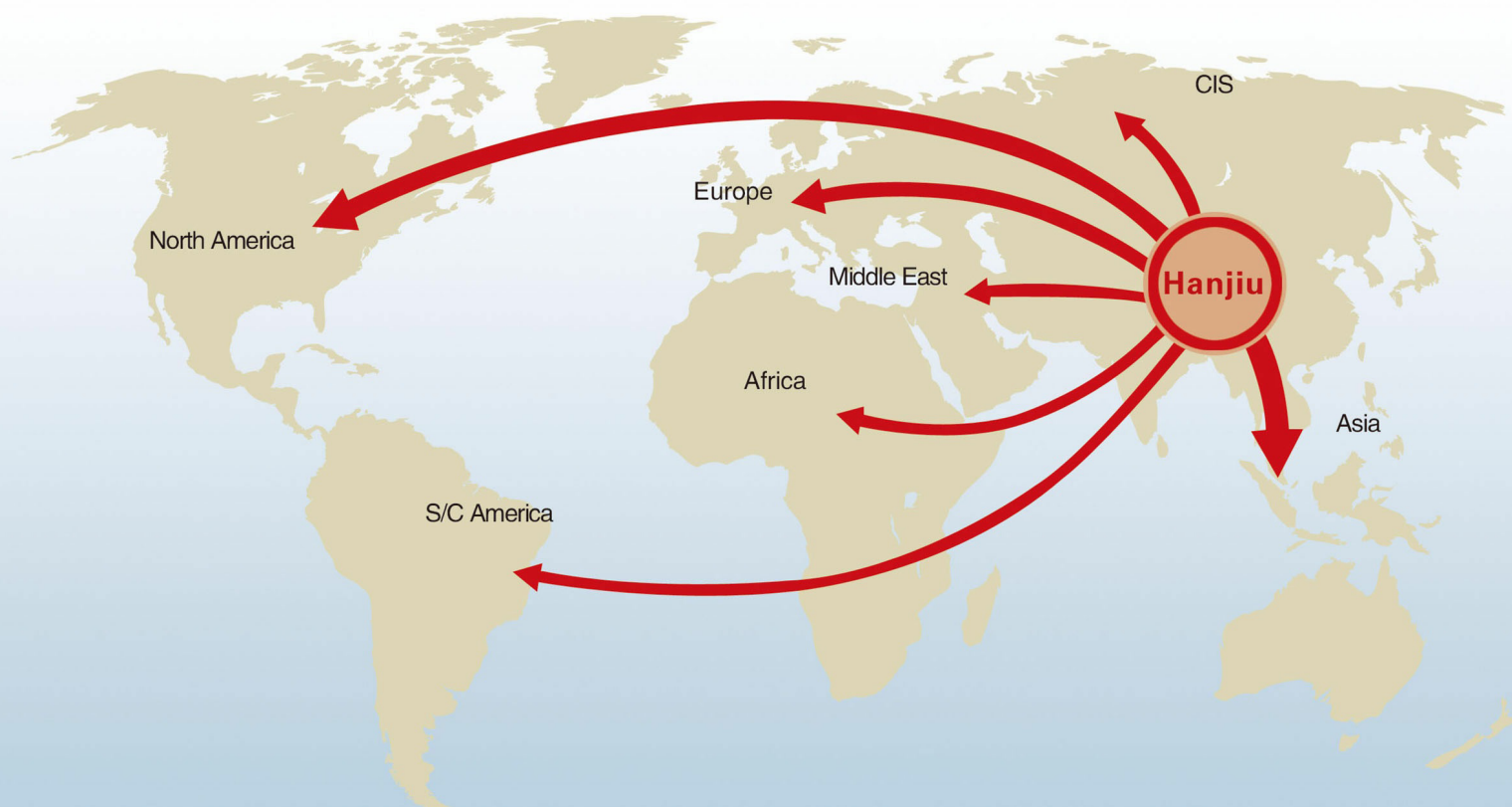


1	2	3	4	5	6	7	8
Code	Disp.	Flange, pilot	Output Shaft	Ports and Drain	Rotation Direction	Paint	Unusually Function
		4-φ14.2 Square-flange φ161.9, pilot φ127x12.5	G2 FE Y1 Y H H1 P P1 T1	SF SF0 SF5 SF6 SF7 SF8	3/4" Manifold Mount 8x3/8-16UNC, 7/16-20UNF φ16 Manifold Mount 4xM12, M14x1.5 1-5/16-12UN, 7/16-20UNF M33x2, M14x1.5 G1, G1/4 G3/4, G1/4		
	200	4-φ14.2 Square-flange φ161.9, pilot φ125x12.5					
	250	4-φ14.2 Wheel-flange φ184.12, Pilot 139.7					
	315		Cone-shaft 1.8 φ45, parallel key 1.13X11.13X31.75			00	
	400						
	500						
	630						
	800						
	1000	4xφ18 Square-flange φ200, pilot φ 160x8	A Q	S1 M5 G D D1 M	1-5/16-12UNC, 7/16-20UNF M33x2, M14x1.5 G1, G1/4 G1 Manifold Mount 4xM12, G1/4 G3/4 Manifold Mount 4xM12, G1/4 M33x2 Manifold Mount 4xM12, M14x1.4		
							Omit Standard
							Omit
							Blue
							Black
							Silver grey

Note: When the table is used, please fill the code of left rows in dash area and give us, which the code information is consists of construction, displacement, mounting flange, output shaft and ports. If the specification is not in the table or you have specific requirements, please contact us.

专业做液压-专注做精品

PROFESSIONAL ON HYDRAULIC- FOCUS ON HIGH QUALITY



石家庄寒九科技有限公司

地址：中国河北石家庄友谊北大街398号

电话：+86 (311) 68123061

传真：+86 (10) - 80115555-568844

邮编：050000

网址：www.hjhydraulic.com

邮箱：manager@sjzhjism.com

SHIJIAZHUANG HANJIU TECHNOLOGY CO.,LTD.

Add: No. 398 Youyi Street, Shijiazhuang, Hebei, China

Tel: +86 (311) 68123061

Fax: +86 (10) - 80115555-568844

Post code: 050000

Web: www.hjhydraulic.com

Email: manager@sjzhjism.com